



股票简称：科林电气
股票代码：603050

KE-6710-V5 7kW

(32A)

V1.0



V1.0	2023-06-26	

1

2 7KW

2.1

2.2

2.3

2.4

2.5

3

3.1

3.2 " "

4

5

6

7

1

2



3

4

1

7kW F



2.2

GB/T 20234.1

1

GB/T 20234.2

2

2.3

1.0

2.4

220V± 15%

50± 1Hz

220V± 15%

50± 1Hz

32A

-25 +60

-25 +60

5% 95%

IP55

3.5kg

190*300*100(* *) mm

2.5

:

:

	:						
	:						
	:						
	:						
	:	S2	:	3s	1		
	:			3s	2		
CP	:			3s	3		
	:			3s	4		
	:			1	1	3s	
	:			2	1	3s	
	:			3	1	3s	
	:			4	1	3s	
	:					3s	2
	:				3s	3	
	:				0	3s	4
	:				1	1	3s
	:						2

1 3s

3

2

3.1

IC

IC

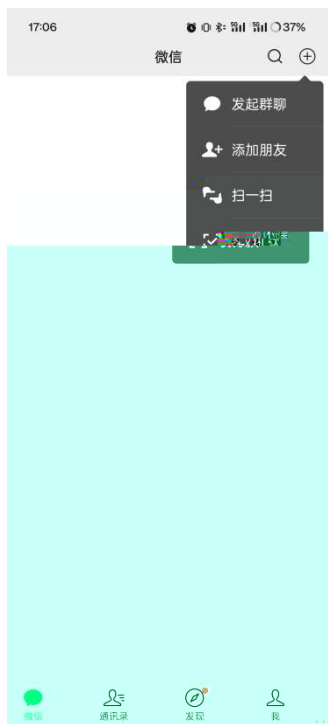
A.

B.

3.2

" "

" " " "



"

B

" 2 "

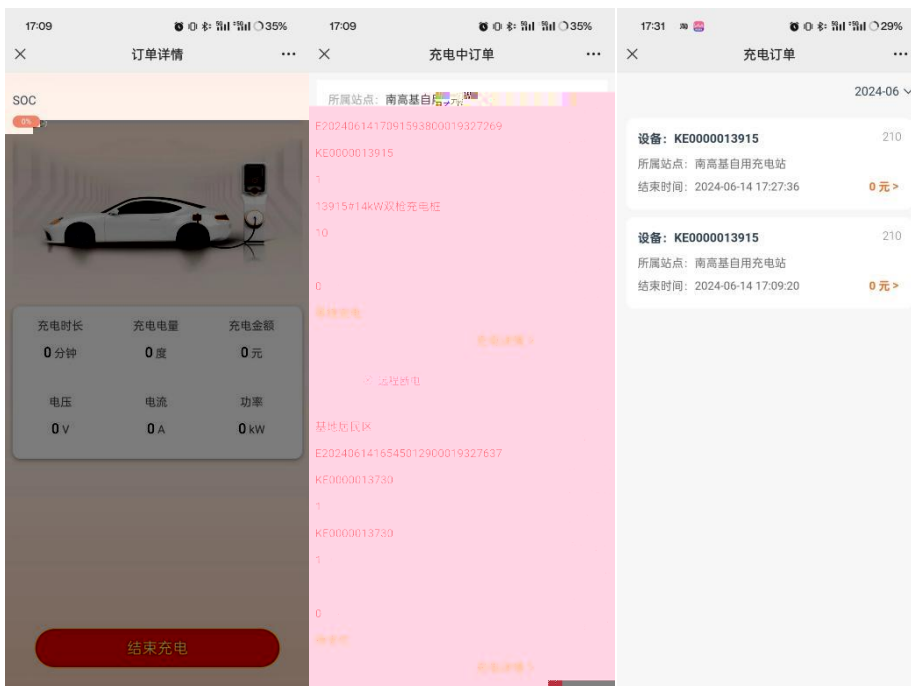
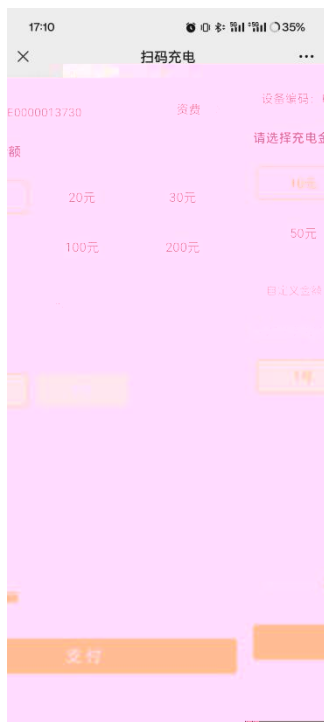
"

"

"

"

"



“ ”

“ ”

4

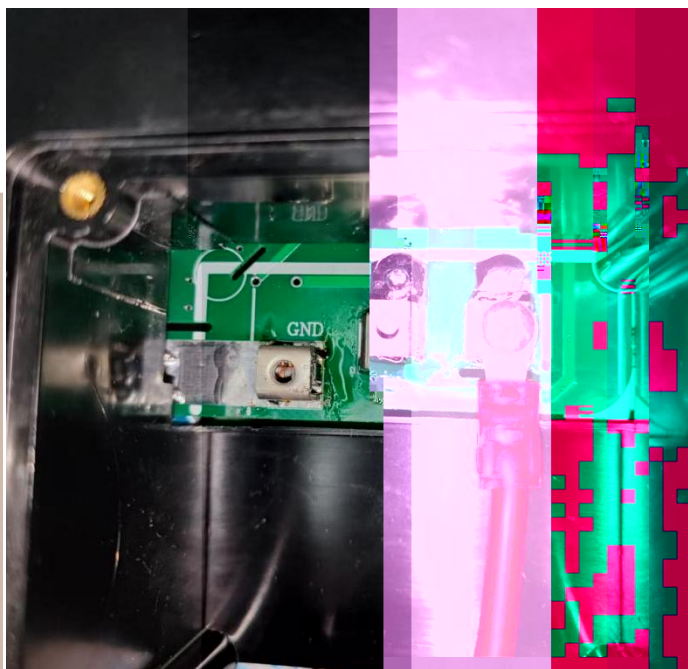
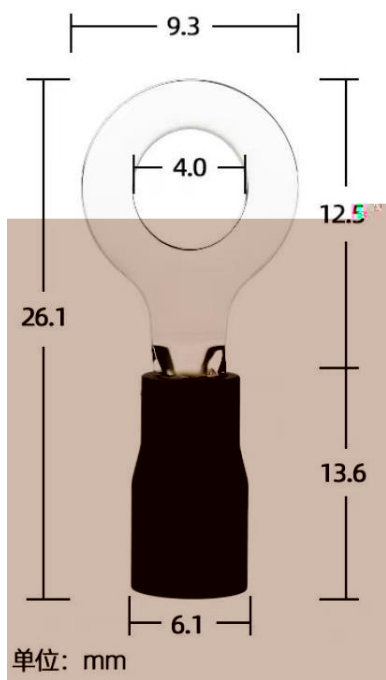
1 7kW 220V

2 () , ,
(RV5. 5- 4L)

8-10mm

()

,



3

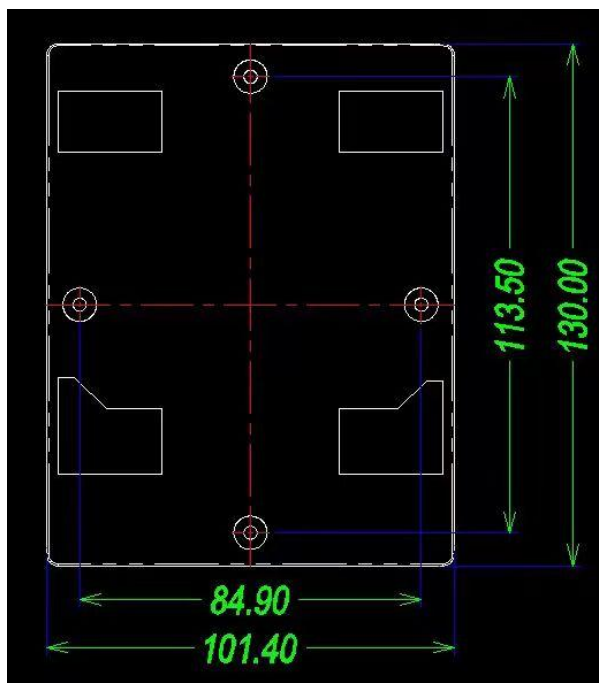
1

2

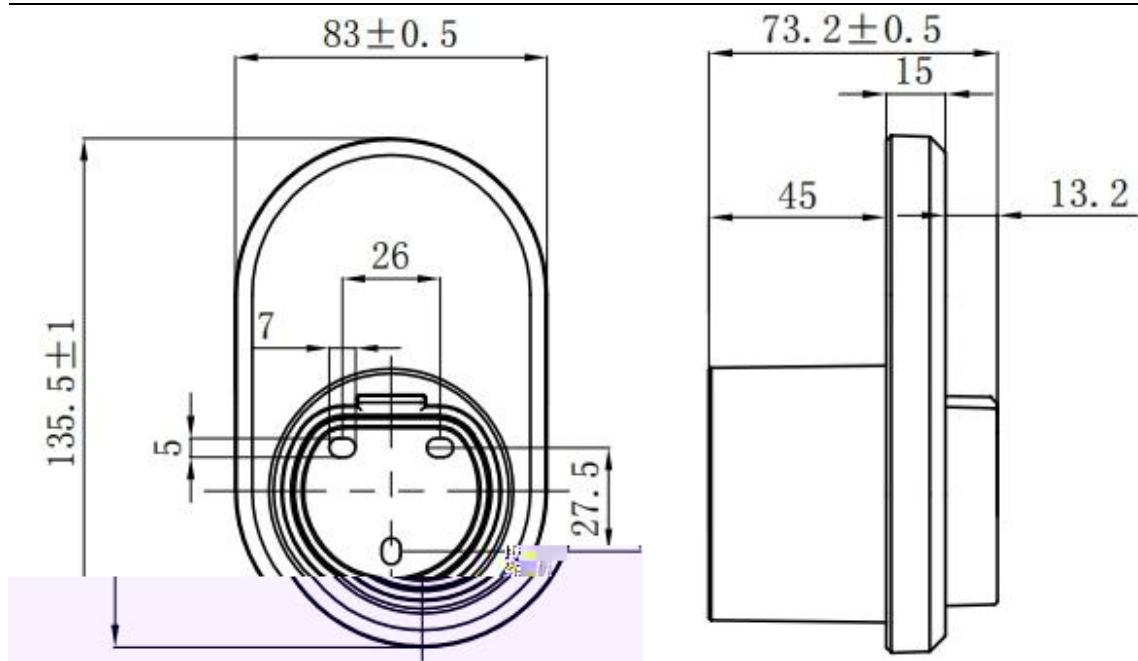
1

1

2



2

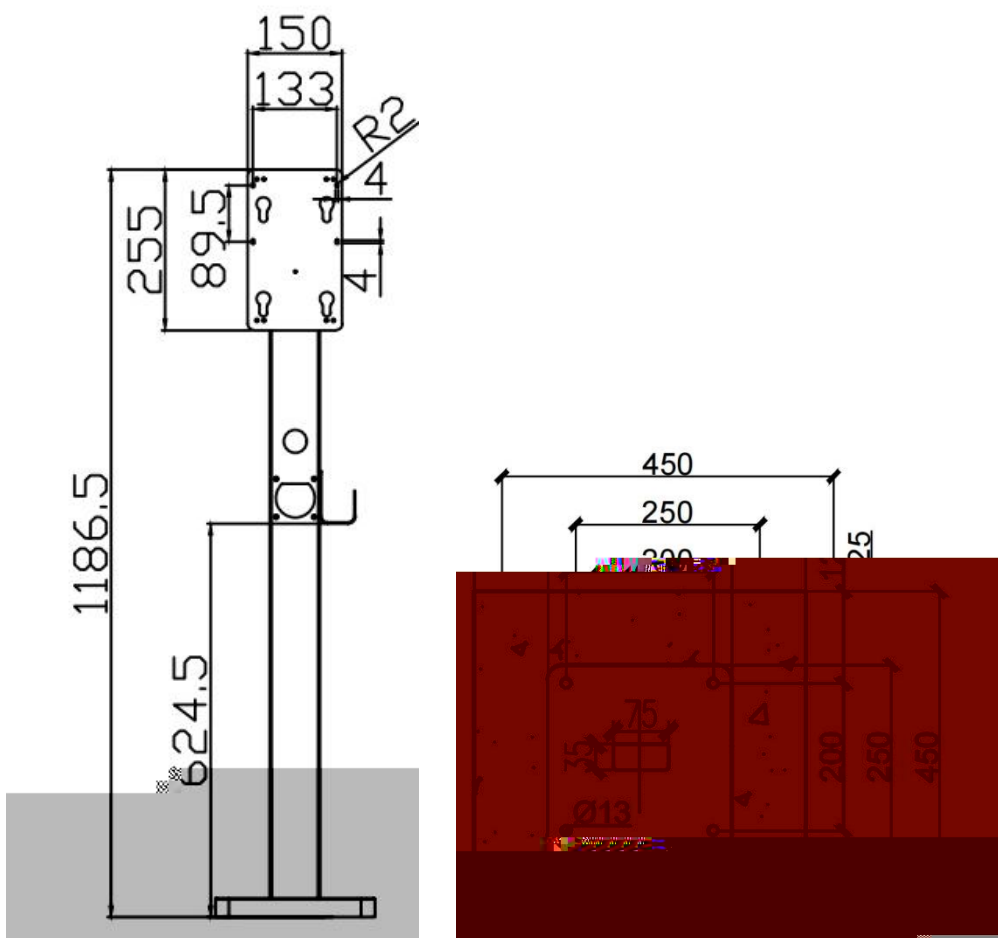


450*200*450

* *

M10*80

75*35mm



4

32A

63A

50A- - 30mA

ZR-YJV- 3*6

5

6

7

5

6



7

7.1

7.2

7.3

1 ()

/ 1

2 ()

3 /
1

4

1) ()

2)

3)

4) /ñ 8 1, € p 0, 2 ñ 2 ñ 2 P ... c 8 • €

5) + a ê , ' , ... Y E Q Ò È A J A ' è I Ñ ' @ , ' 1 + X C P € Ñ ,

8)

9)

10)

5

,

(

)

6

,

7

,

050222

0311-85231078

400-0311-128

0311-69099681